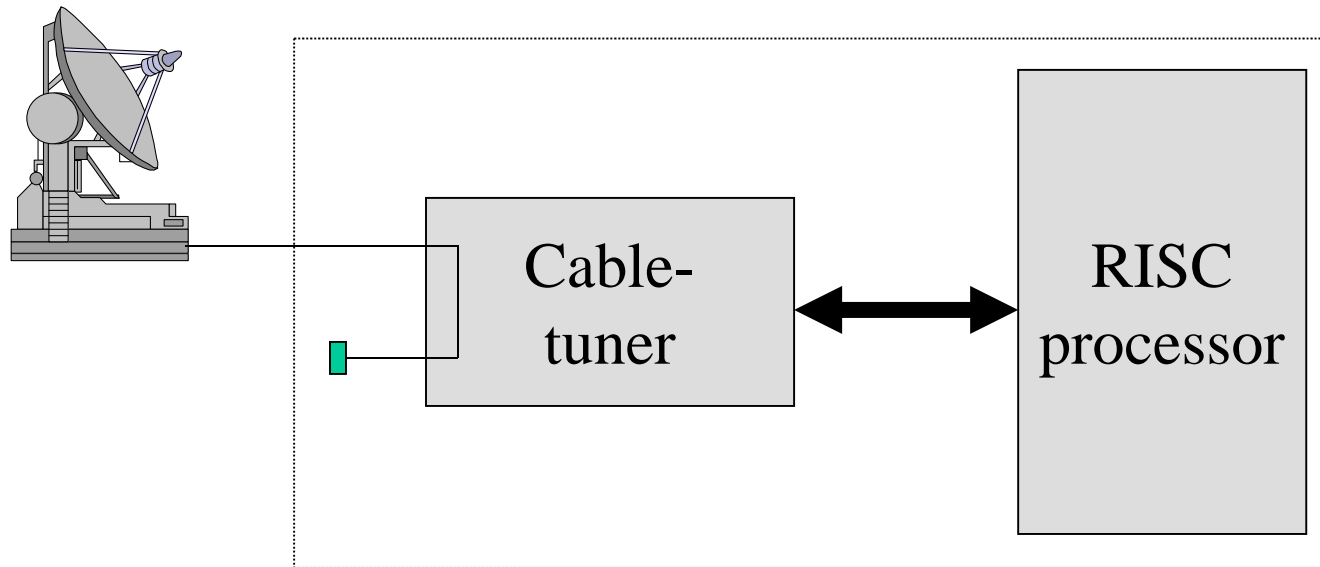
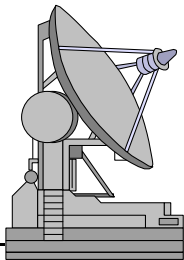


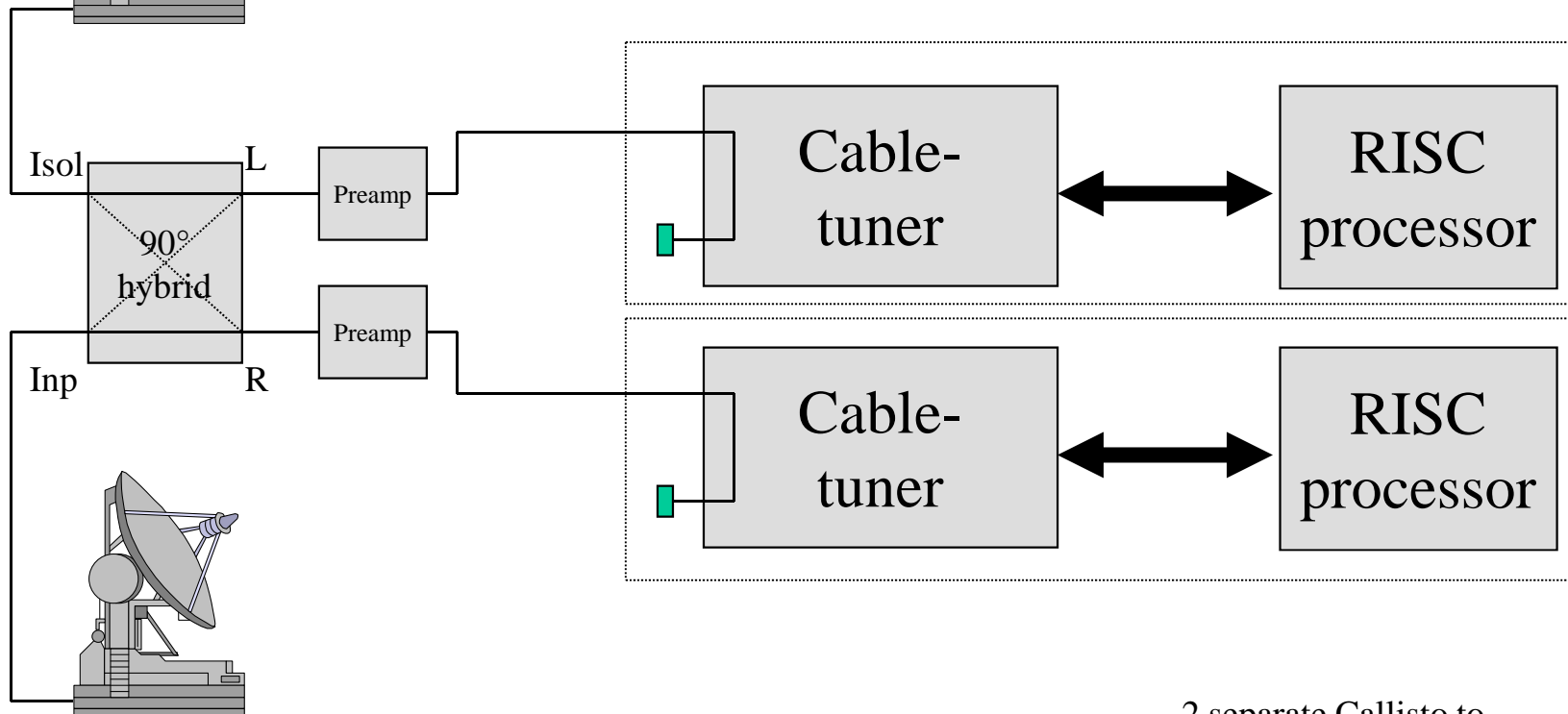
# CALLISTO Standard mode for one linear polarization



- low cost version
- single antenna, one polarization



# CALLISTO circular polarization



2 separate Callisto to  
measure 2 polarizations  
at the same time